



ECO FlexTech

Parking Garage Luminaire

Product Features: The ECO FlexTech LED parking garage fixture is the most versatile, flexible, up-gradable and energy efficient lighting fixture of it's kind. The ECO FlexTech is equipped with a double-refracted lens providing low glare without sacrificing uplighting, while still maintaining tested performance exceeding 120 lumens per watt.

Housing

Cast aluminum two-piece construction with secure latching and set screw locking device.

Reflector

Flat one-piece aluminum painted with high gloss, high heat resistant white TGIC polyester powder over 90% reflectance

Driver

Mean Well electronic, dimming ballast with input voltage of 120-277V

Lens

Acrylic refractor mounted with stainless steel screws

Mounting

Standard surface quick mount, pendant mount option available

Warranty

Five year limited warranty. See warranty terms at www.ecoparkingtechnologies.com

Finish

Chip resistant electrostatic TGIC powder polyester coating, electrostatic applied and baked. Standard white color finish. Additional finishes available, contact factory for options.

Listings

UL/cUL listed for wet location
Title 24 compliant with occupancy sensor

Electrical

- Suitable for operation with line voltage of 120 to 277V +/- 10% VAC.
- High brightness LED module, available in cool white (5000K) or neutral white (4000K)
- Optional Wattstopper for both occupancy and daylight harvesting controls.
- Falcon Vision™ - Integrated, wireless enterprise secured, Guidance, Controls & More

LED Module

Cree LED Modules available in *High Efficiency XPG* or *Ultra Efficiency XPL* installations.

Ordering Information: Model Numbers

ex: FT-GL-60M-U-50-24L-W-CM

| Model | Driver (M=Mean Well) (P=Programmable) | Voltage | Color Temp. | LED Module | Controls | Mounting |
|-------|---|--------------------------|-------------|-------------------------|---|---------------------|
| FT-GL | 45M or 45P= 45 watt | U= Universal 120/277V | 50=5000K | 24L=XPL Type V lens | Blank or X= No controls | CM=Ceiling mount |
| | 60M or 60P= 60 watt | | 40=4000K | 24G=XPG Type V lens | D=Dimming | PR=Pendant ready |
| | 80M or 80P= 80 watt | | | 32L=XPL Type II lens | W= Wattstopper | PM=Pendant mount |
| | 100M or 100P= 100 watt | | | | F#=Falcon Controls (#=Qty. of Cameras) | |

Note: Additional customizations available, contact factory for details.



Specifications subject to change without notice



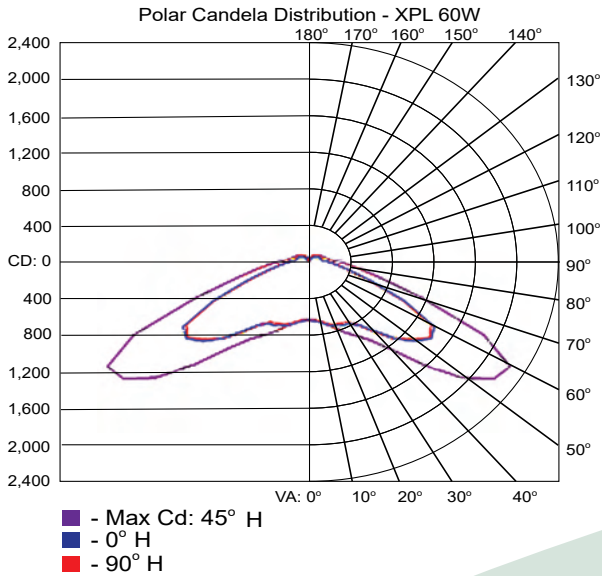
Green that makes Cents.

Luminaire Data*

| LED Module | System Watts | Initial Lumens | BUG Rating | LPW |
|------------|--------------|----------------|------------|-----|
| 45W - 24L | 43.5 | 5,570 | B2-U3-G2 | 128 |
| 60W - 24L | 57.4 | 7,026 | B3-U3-G2 | 122 |
| 80W - 24L | 79.04 | 8,955 | B3-U4-G2 | 113 |
| 100W - 24L | 101.41 | 10,876 | B3-U4-U3 | 108 |
| 45W - 24G | 45.2 | 4,881 | B3-U3-G2 | 108 |
| 60W - 24G | 58.82 | 5,992 | B3-U3-G2 | 102 |
| 80W - 32L | 75.7 | 9,050 | B3-U3-G3 | 119 |
| 100W - 32L | 100.00 | 12,312 | B4-U4-G4 | 123 |

*Luminaire data measured for 5000K color temperature

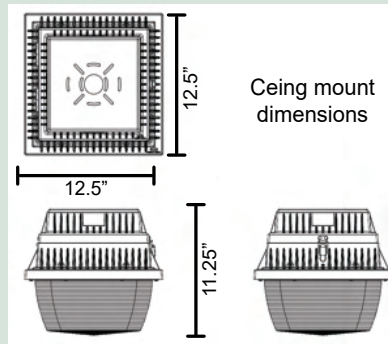
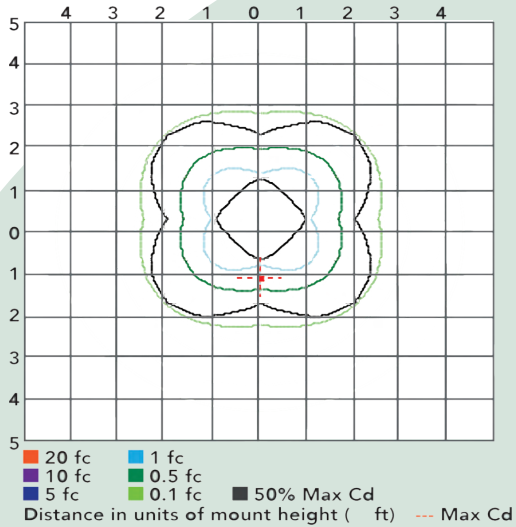
Photometry:



Zonal Lumen Summary - XPL-60W -

| Zone | % Luminaire |
|--------|-------------|
| 0-30 | 9.2% |
| 0-40 | 18.1% |
| 0-60 | 57.2% |
| 60-90 | 34.6% |
| 70-100 | 16.6% |
| 90-120 | 6.0% |
| 0-90 | 91.9% |
| 90-180 | 8.1% |
| 0-180 | 100% |

Isofootcandle Plot - 60W-HO



Specifications subject to change without notice





FALCON VISION™ Parking Guidance

The ECO FlexTech™ equipped with **FALCON VISION™** is your personal assistant...your Concierge!

By integrating the Vision Based Parking Guidance and LED indicator into the FlexTech™ fixture, the need to provide costly control and power wiring has been virtually eliminated. The colored LED indicator directs you to an open parking spot revealing Green or Blue (ADA) for available and Red for occupied. Or, choose your own color to indicate parking by zones (Attributes). The fixture mounted Hi-Definition camera, and Machine Learning, recognizes space status as well as pedestrian and vehicular motion. Because the Falcon Vision™ is integrated into the light fixture, the complete system operates at it's most energy efficient level.

The FALCON VISION™ Parking Guidance system is like no other parking guidance system. It's Wireless and, it's integrated into the Lighting Fixture. Parking Guidance with a Real ROI!

FALCON VISION™ Features

- **Parking Guidance**
- **Hi-Definition Camera**
- **Dual Camera for single Type II Wide Distribution LED fixture, one down middle of drive lane**
- **Single Camera for dual Type V Broad Distribution LED fixture, two per drive lane**
- **Ambient Light and Motion Sensing through Vision for Lighting Control**
- **Standard occupancy sensing: Green and Blue (ADA) = Available, Red = Occupied**
- **Through RGB LED indicators custom colors are available for Park by Color™ Attribute Zoning**
- **Integrated into LED Parking Garage Lighting Fixture**
- **On-Board controls allows LED fixture to limit output to meet specific lighting levels**
- **Wireless System**
- **Expandable Sensor Network**
- **Edge Computing**
- **Falcon Vision Dashboard**
- **Open protocol with integration opportunity into PARCs systems**
- **Communication with signage**
- **Features Under Development include: License Plate Recognition, EmergenSEE interface, Find My Car, Parking Scents, Audible Features, and many more...**

CONCIERGE LIGHTING....at your service!™



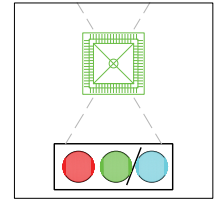
Specifications subject to change without notice



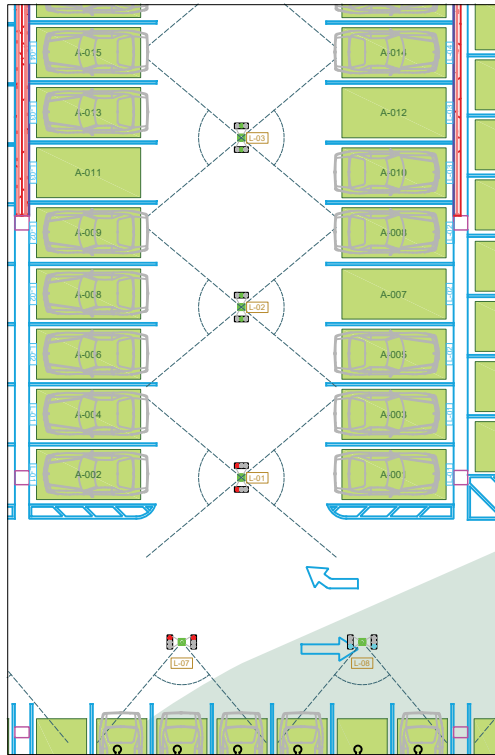
Green that makes Cents™

www.ECOParkingTechnologies.com • 866.897.1234

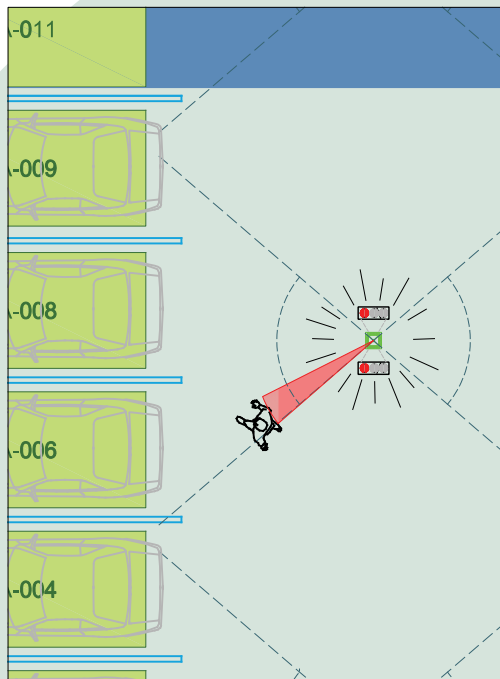
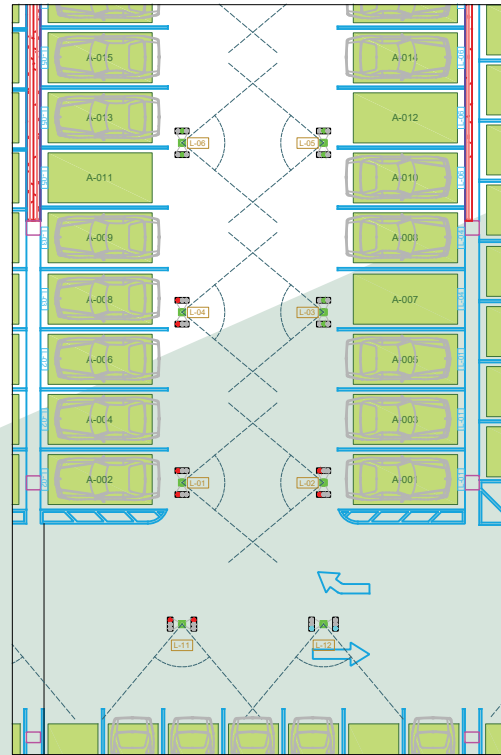
RGB LED WITH CUSTOM COLORS AVAILABLE FOR ATTRIBUTE ZONING



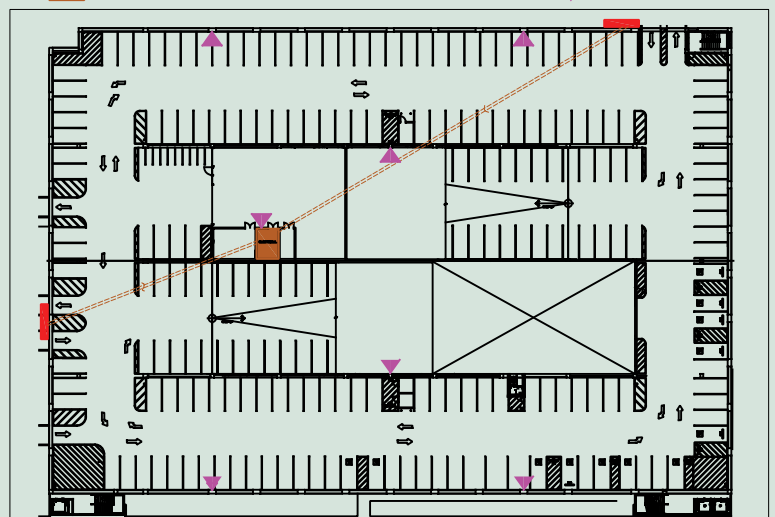
SINGLE SENSOR INSTALLATION



DUAL SENSOR INSTALLATION



■ = Gateway
 ■ = Signage
 ▼ = WAP



INTEGRATED LIGHTING CONTROLS VIA MOTION AND AMBIENT LIGHT LEVEL SENSING

Gateway located in secure area
 RS-485 connection from gateway to signage
 Wireless access points installed for complete coverage (locations garage dependent)



Specifications subject to change without notice